

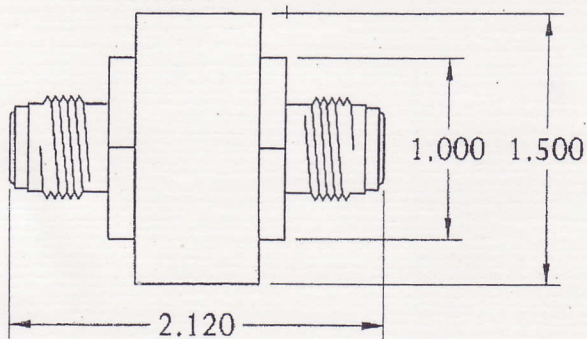
New Product Release

PV1-1200 Series Gas Filter

- 99.998% Efficient @ 1.0 Micron
- 316L Stainless Steel Body and Media
- BA interior Finish
- 100% intergrity tested
- Helium leak tested to 1×10^{-9} cc/sec
- Compatible with all non corrosive semi gases
- 3000 psig @ 250 °F
- Available with gasket seal, compression, and Butt Weld Fittings

The PV1-1200 Series Gas Filters are specifically designed for 1.0 micron filtration of semi-process gases with relaxed specification to meet the needs of the PV industry.

This PV1-1200 Series will flow to 200 lpm. All filters are Nitrogen purged, double bagged and packaged in a clean room.



Face seal - 2.12"
Compression - 1.70"
Tube stub - 1.62"

